

PROPRIETARY AND CONFIDENTIAL
 THE INFORMATION CONTAINED IN THIS
 DRAWING IS THE SOLE PROPERTY OF
MARRA FORNI ANY REPRODUCTION IN
 PART OR AS A WHOLE WITHOUT THE
 WRITTEN PERMISSION OF **MARRA FORNI**
 IS PROHIBITED.

NEXT ASSY	USED ON
APPLICATION	

UNLESS OTHERWISE SPECIFIED:
 DIMENSIONS ARE IN INCHES
 TOLERANCES:
 FRACTIONAL ±1/64
 ANGULAR: BEND ± 0.5°
 ANGULAR: MACH ±0.05°
 TWO PLACE DECIMAL ±0.01"
 THREE PLACE DECIMAL ±0.005"
 FOUR PLACE DECIMAL ±0.0005"

INTERPRET GEOMETRIC
 TOLERANCING PER:
 MATERIAL

FINISH

DO NOT SCALE DRAWING

	NAME	DATE
DRAWN	S.Sotiri	
CHECKED		
ENG APPR.		
MFG APPR.		
Q.A.		
COMMENTS:		

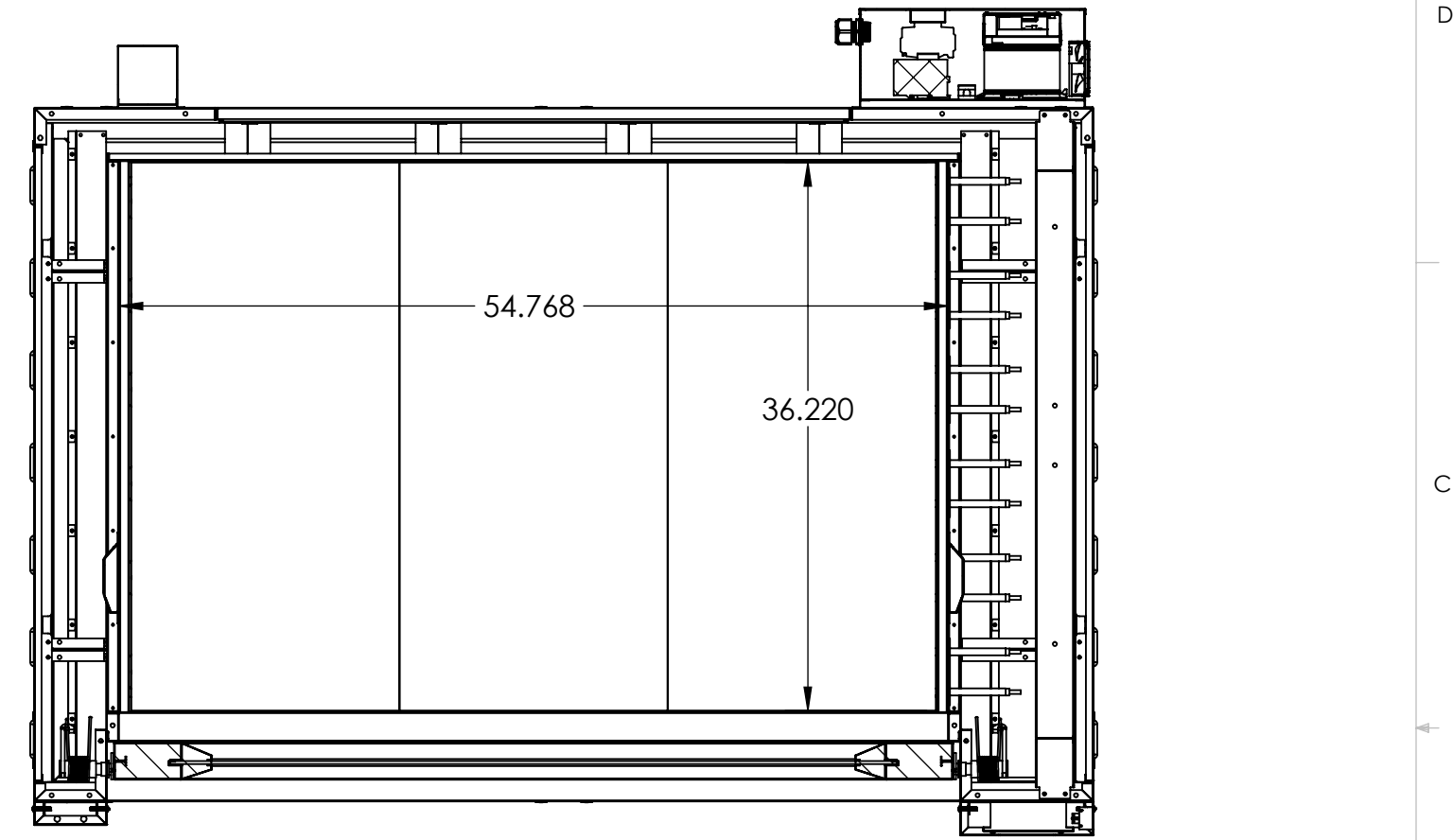
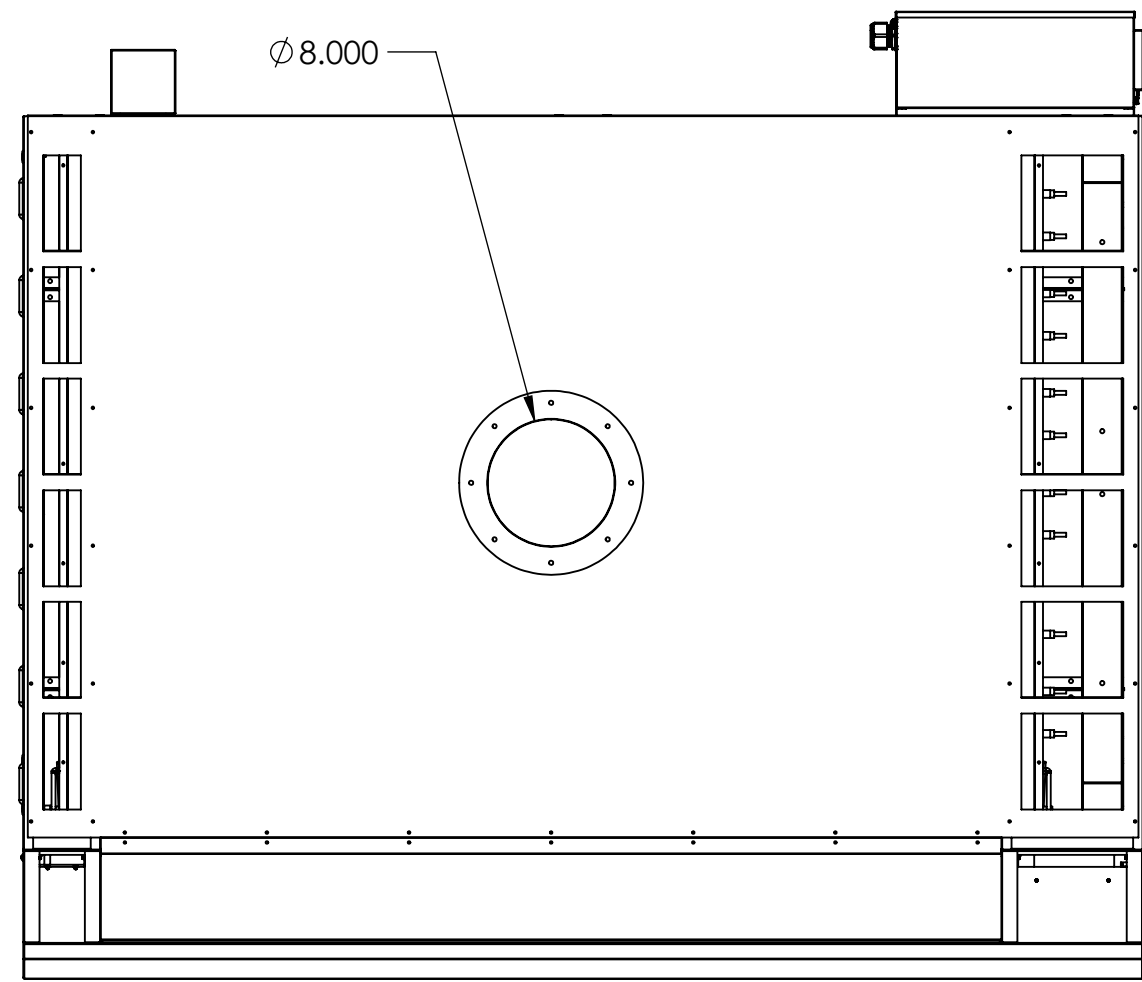
Marra Forni[®]

TITLE:

SIZE	DWG. NO.	REV
B	ELST5536-1 RevA	A
SCALE: 1:24 WEIGHT:		SHEET 1 OF 2

8 7 6 5 4 3 2 1

D
C
B
A



SECTION A-A
SCALE 1 : 12

8 7 6 5 4 3 2 1

PROPRIETARY AND CONFIDENTIAL
THE INFORMATION CONTAINED IN THIS DRAWING IS THE SOLE PROPERTY OF **MARRA FORNI**. ANY REPRODUCTION IN PART OR AS A WHOLE WITHOUT THE WRITTEN PERMISSION OF **MARRA FORNI** IS PROHIBITED.

UNLESS OTHERWISE SPECIFIED:		NAME	DATE	<i>Marra forni</i> [®]
DIMENSIONS ARE IN INCHES		DRAWN	S, Sotiri	
TOLERANCES:		CHECKED		
FRACTIONAL ± 1/64		ENG APPR.		
ANGULAR: BEND ± 0.5°		MFG APPR.		
ANGULAR: MACH ± 0.05°		Q.A.		TITLE:
TWO PLACE DECIMAL ± 0.01"		COMMENTS:		SIZE
THREE PLACE DECIMAL ± 0.005"				DWG. NO.
FOUR PLACE DECIMAL ± 0.0005"				ELST5536-1
	INTERPRET GEOMETRIC TOLERANCING PER:			RevA
	MATERIAL			REV
	FINISH			A
NEXT ASSY	USED ON			SCALE: 1:24
APPLICATION	DO NOT SCALE DRAWING			WEIGHT:
				SHEET 2 OF 2